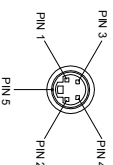
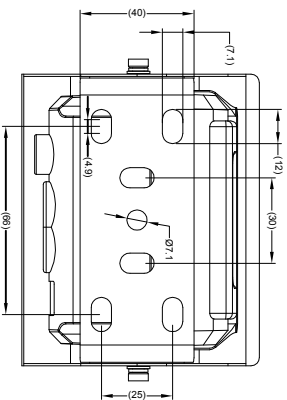
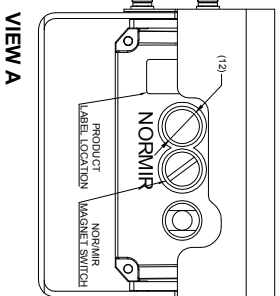
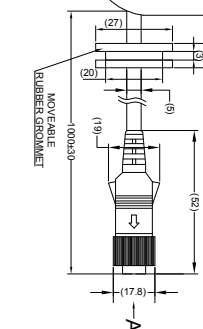
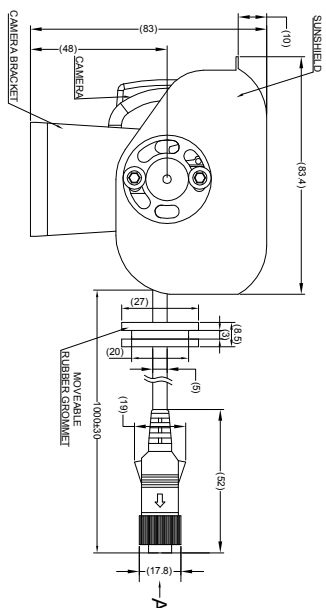
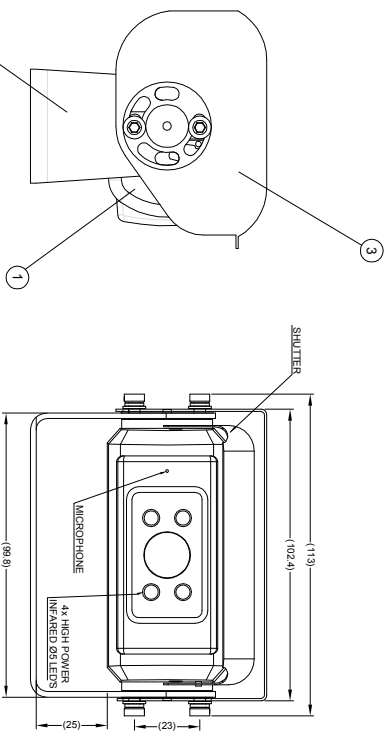
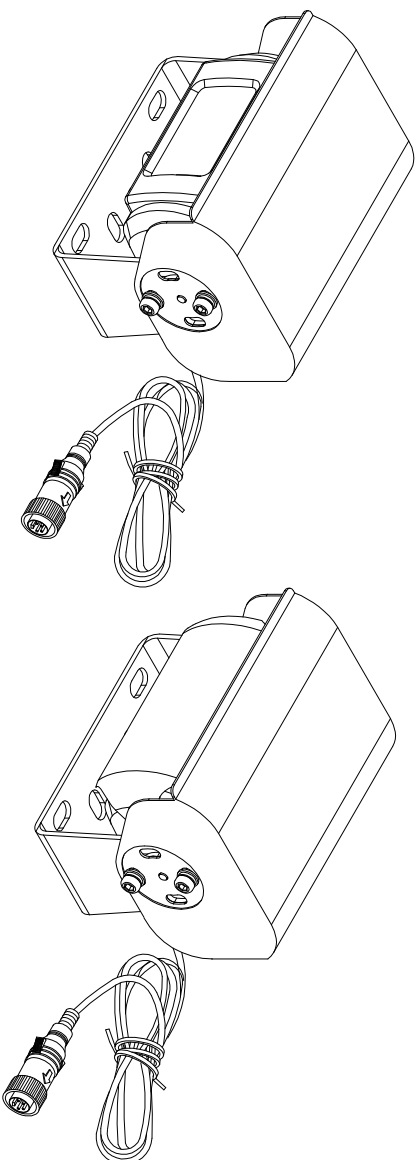
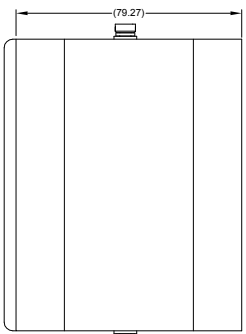


ITEM	PART NO	QTY	MODEL/DESCRIPTION
1	(3528B)	1	BE-811C-C CAMERA ONLY
2	(4407)	1	BE-811C CAMERA BRACKET
3	(4406)	1	BE-811C CAMERA SUNSHIELD
4	(3246)	1	BE-2XXC/8XX-C-FIX CAMERA FIXING PACK (NOT SHOWN)
5	(4410)	1	BE-811C INSTALLATION GUIDE (NOT SHOWN)
6	(3522)	1	BE-81X/21X BOX (NOT SHOWN)



4 PIN MINI DIN MALE MATING FACE

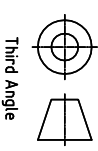
PIN#	WIRE COLOUR	DESCRIPTION
1	WHITE	VIDEO
2	YELLOW	+12V
3	BLUE	ADD. FUNCTION
4	RED	AUDIO
5	GREEN/SHEILD	GN0

- NOTES:
- FOR DETAILED SPECIFICATION REFER TO PRODUCT SPECIFICATION
 - FOR PRODUCT LABEL, REFER TO LATEST REVISION OF DRAWING: BE-002427-XX-13
 - FOR GIFTBOX LABEL, REFER TO LATEST REVISION OF DRAWING: BE-002428-XX-13
 - FOR SERIAL LABEL, REFER TO LATEST REVISION OF DRAWING: BE-001320-XX-10.
 - MAGNET SWITCH SET TO MIRROR.

PROPRIETARY NOTICE
 THIS DESIGN AND TECHNICAL INFORMATION APPEARING ON THIS DRAWING IS THE PROPERTY OF BRIGADE ELECTRONICS, AND IS DISCLOSED IN CONFIDENCE. IT IS NOT TO BE COPIED, REPRODUCED, REVEALED TO OR EXPLOITED BY OTHERS, EITHER IN WHOLE OR IN PART WITHOUT THE EXPRESS WRITTEN CONSENT OF BRIGADE ELECTRONICS.

Revision Notes	
R1 -	
APPA -	Drawn -
	Checked -
	Approved -
	Date -

BRIGADE®
 www.brigade-electronics.com



Assembly PI Approval		Approved by		Checked by		Drawn by	
T:CH01 - 03/06/13		GPL/TH		M:BU/TLER		R:BA/TES	
Units	Scale	Released	Released	Assembly Ref			
mm	N/A	06/06/13	-				
Status RELEASED			BE-811C				
Part No 2914B			BE-002426-00-13				